

KOHLER® Command PRO® V-Twins

18-30 hp Engines



KOHLER®

KOHLER®

PERFORMANCE
ENGINEERING

Every part, every component, every system on our engines is guided by Kohler's exclusive Performance Engineering. It's your assurance that every engine we produce will live up to and build upon the worldwide KOHLER® reputation for excellence.



The measure of performance.

KOHLER® Command PRO® engines are the professional standard for power and performance. Whatever the job, whatever the power range, from 4 on up to 40 hp. The Command PRO V-Twin Series – nine models from 18 to 30 hp – offers best-in-class engineering and performance on torque, fuel and oil consumption, extended maintenance intervals and sound levels.



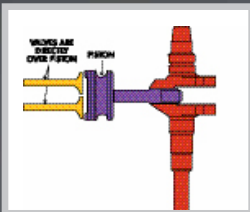
Full-pressure lubrication.

Delivers continuous, positive lube to engine components, even up to 25-degree angle of operation. Full-flow filter cleans entire oil supply 150 times/hour, extending oil-change intervals to 100 hours and filter changes to 200 hours, under normal running conditions.



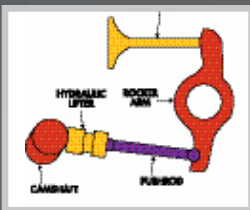
Optional oil cooler.

Maintains low oil temperatures across entire power range regardless of application. Helps protect the environment by extending oil-change interval.



Overhead valve technology.

High-efficiency design delivers greater volumetric efficiency and higher compression ratio with virtually no carbon build-up. You run cooler with superior power and fuel efficiency, reduced oil consumption and less maintenance.



Maintenance-free valves.

Valve lifters are oil-pressurized, insuring that push rods stay in constant contact with rocker arms. Requiring no adjustments, the valve train is virtually maintenance-free.

Emissions:

Certified for both EPA and California emissions standards. Precise air-to-fuel ratio for cleaner combustion with optimum horsepower and torque.

Service:

Backed by more than 13,000 dealers and distributors worldwide.

Warranty:

Two-year limited warranty covering all consumer and commercial applications.

KOHLER® Command PRO® Horizontal V-Twins





Large-capacity, dual-element air filter.

Traps contaminants to ensure proper engine protection. This results in long life, maximum engine performance and lower exhaust emissions.



Standard PTO side-load sleeve bearings.

High-torque, side-load applications are ensured of consistently strong PTO engagement under the most grueling conditions.



Large-capacity, in-line fuel filter.

Provides extra protection against dirt particles that can clog fuel lines and reduce engine performance. The result is faster starts, smoother operation and virtually no downtime due to fuel contamination.



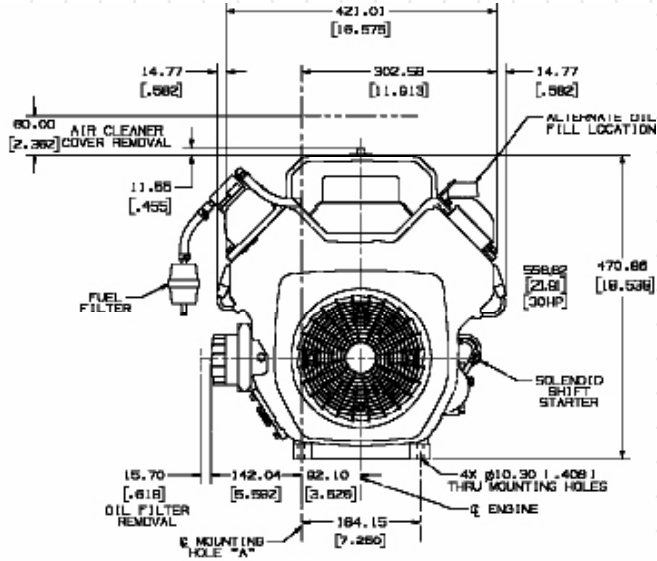
Variable-speed, mechanical governor.

Promises smooth performance, regardless of application or fluctuating demands for power.

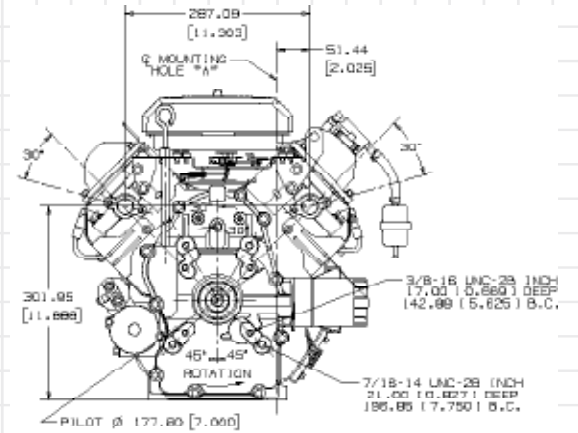


18-30 hp horizontal-shaft engines flat air cleaner

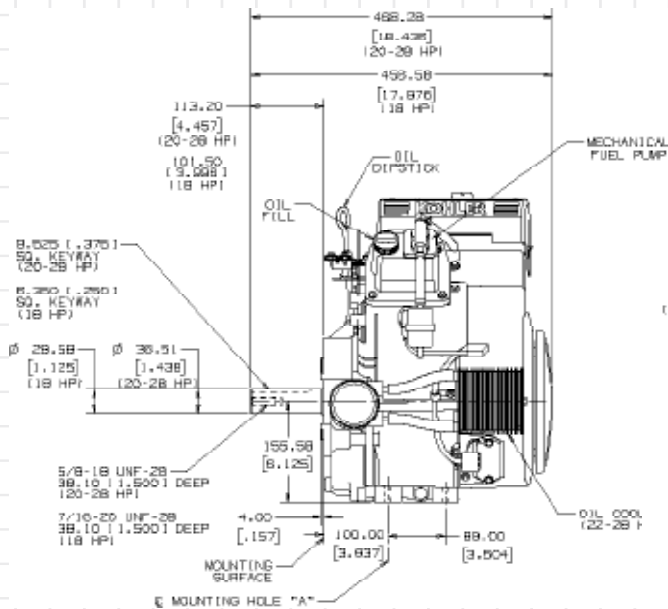
FRONT VIEW ▼



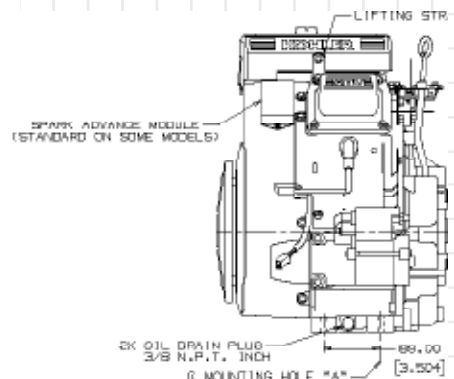
PTO VIEW ▼



OIL FILTER SIDE VIEW ▼



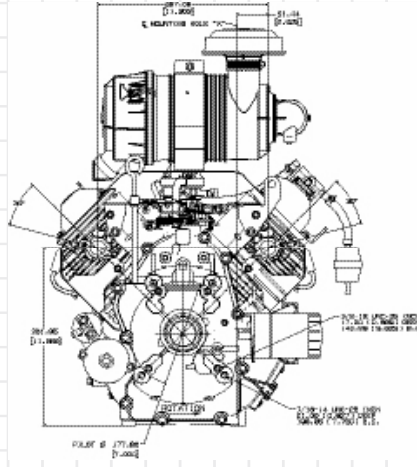
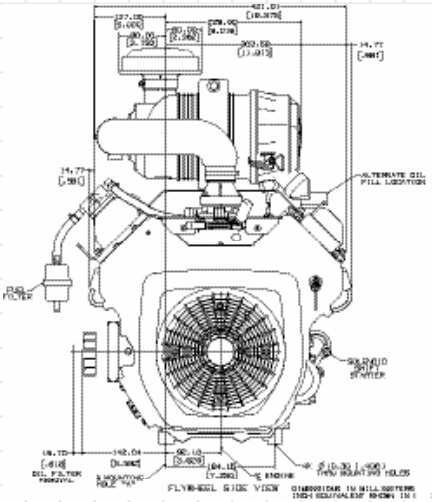
STARTER SIDE VIEW ▼



18-30 hp horizontal-shaft engines
heavy-duty air cleaner

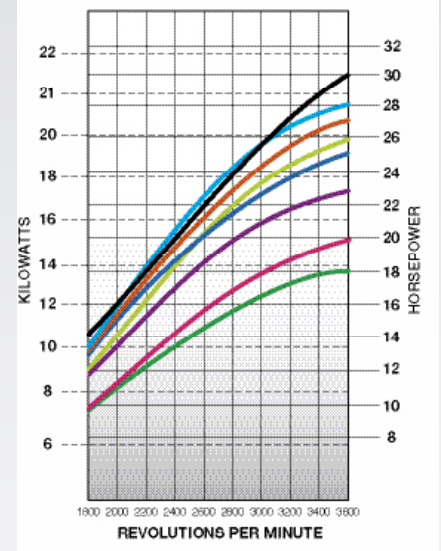
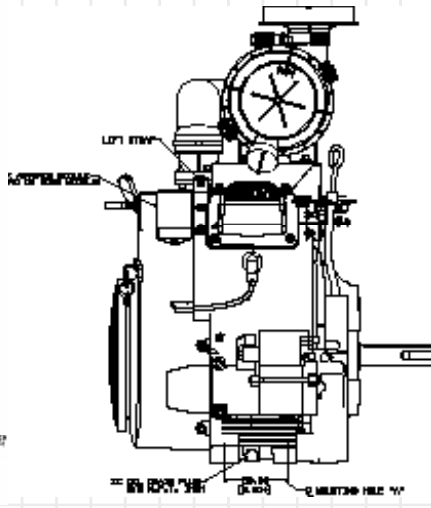
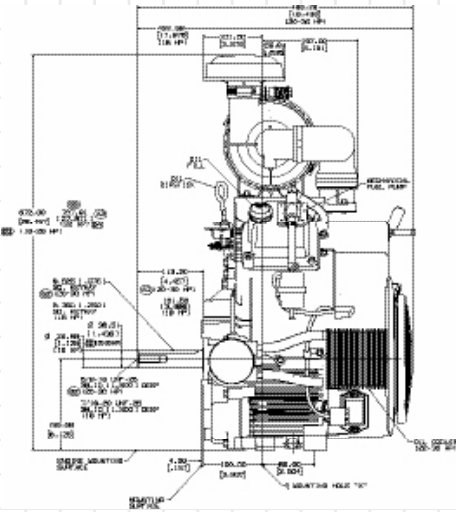
FRONT VIEW ▼

PTO VIEW ▼

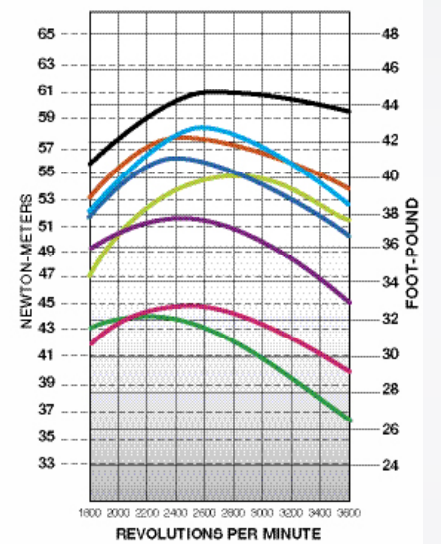


OIL FILTER SIDE VIEW ▼

STARTER SIDE VIEW ▼



Maximum Power



Maximum Torque

- CH750
- CH745
- CH740
- CH26 / CH735
- CH730
- CH23 / CH680
- CH20 / CH640
- CH18 / CH620

KOHLER® Command PRO® Vertical V-Twins





Easy-access oil fill.

Has a large opening and integral dipstick for fast oil fills during routine maintenance. Checking oil levels is also fast with a twist-off yellow fill cap and easy-to-read dipstick markings.



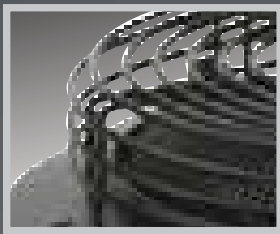
Electronic ignition.

Provides fast, all-weather starts, even at temperatures as low as -20°F (-28.89°C). The system is virtually maintenance-free.



Cast iron cylinder liners.

Our cylinders take the punishment of any application, under the dirtiest, dustiest conditions. They provide consistent power, superior oil control and reduced exhaust emissions.



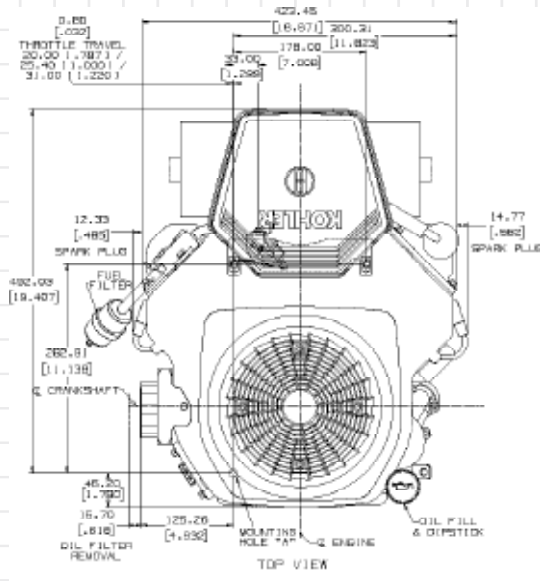
Various options available on Command PRO® vertical-shaft twins.

The metal chopper grass screen shreds grass and chaff that could reduce airflow and rob performance. The wire guard that covers the screen is especially helpful in open applications, preventing damage to the screen.

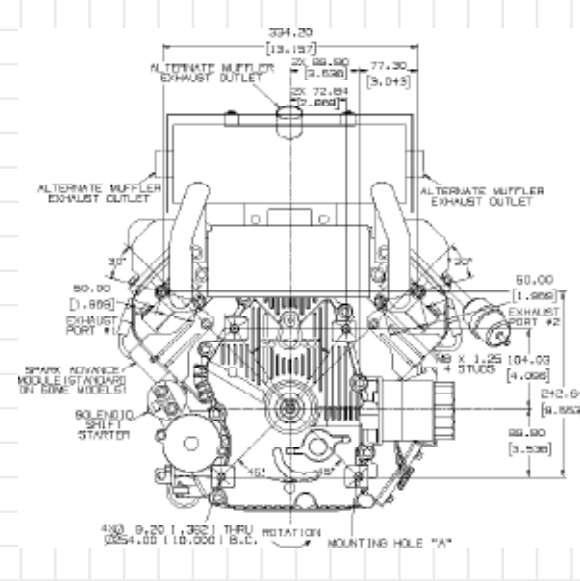


18-30 hp vertical-shaft engines

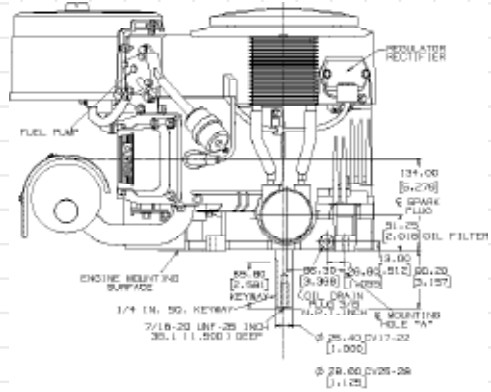
TOP VIEW ▼



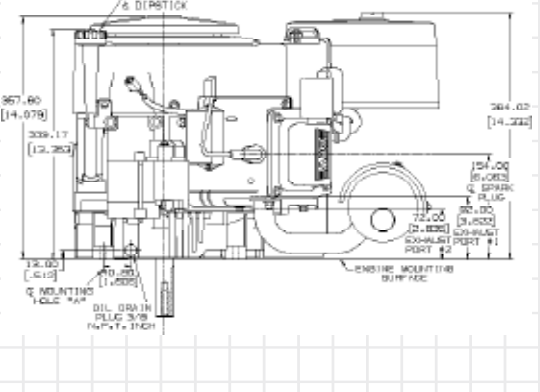
PTO VIEW ▼



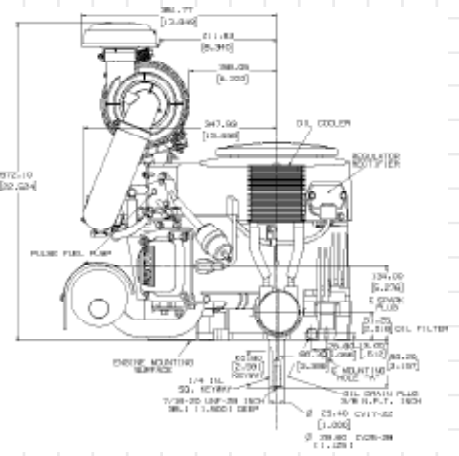
OIL FILTER SIDE VIEW ▼



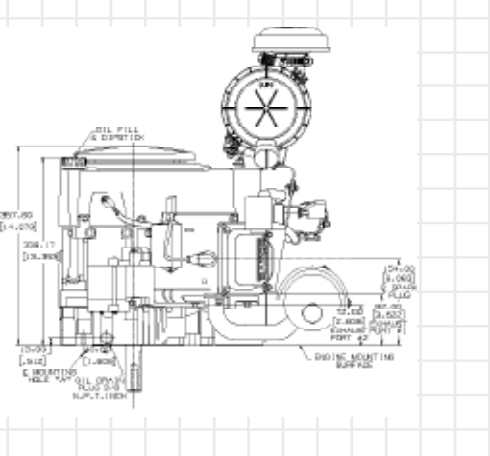
STARTER SIDE VIEW ▼



OIL FILTER SIDE VIEW ▼

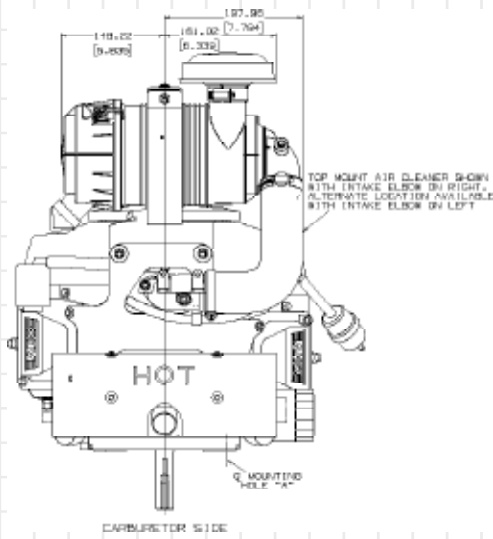


STARTER SIDE VIEW ▼

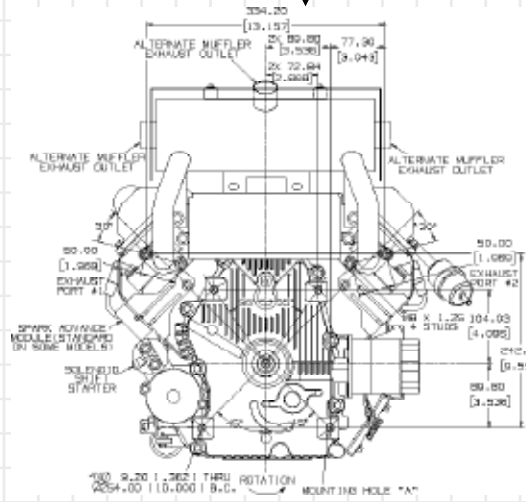


18-30 hp vertical-shaft engines

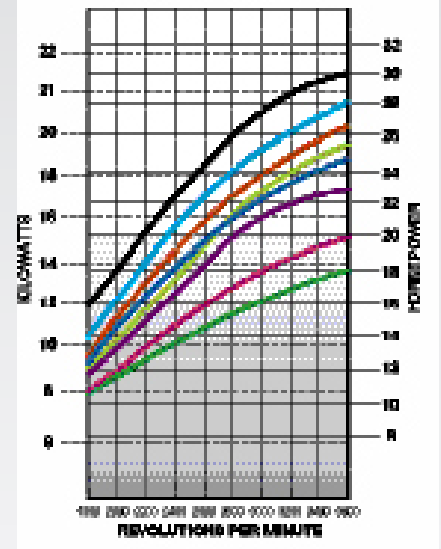
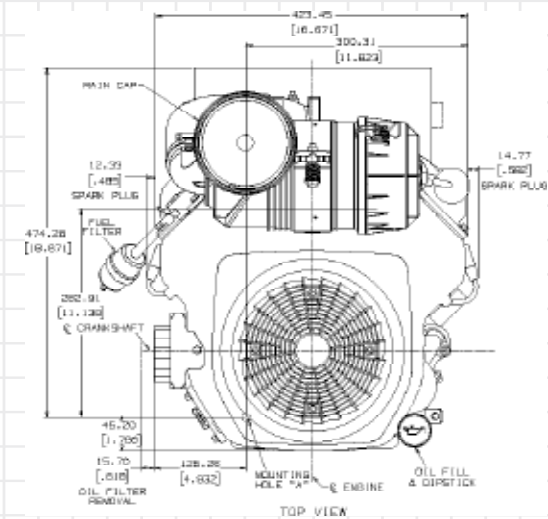
CARBURATOR VIEW ▼



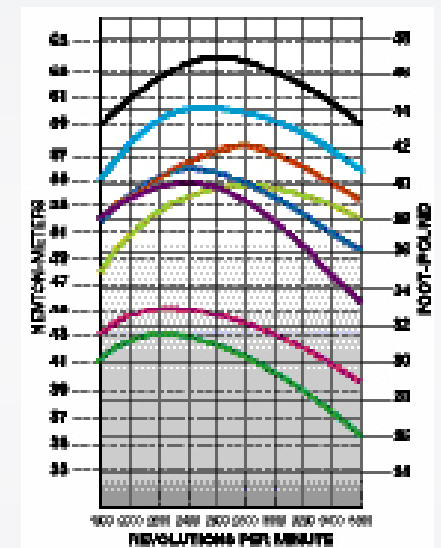
PTO VIEW ▼



TOP VIEW ▼



Maximum Power



Maximum Torque

- CV750
- CV745
- CV740
- CV26 / CV735
- CV730
- CV23 / CV680
- CV20 / CV640
- CV18 / CV620

KOHLER® Command PRO® V-Twins Model Specifications

Engine Type	Four-cycle, V-twin cylinder, air-cooled, vertical-and horizontal-shaft, gasoline, full-pressure lubrication with oil filter, aluminum head and crankcase with cast iron cylinder liners, two-barrel carburetor (CH/CV750)								
Model	CH/CV18 CH/CV620	CH/CV20 CH/CV640	CH/CV23 CH/CV680	CH/CV730	CH/CV26 CH/CV735	CH/CV740	CH/CV745	CH/CV750	
*Power @ 3600 rpm Maximum hp (kW)	18 (13.4)	20 (14.9)	23 (17.2)	25 (18.6)	26 (19.4)	27 (20.1)	28 (20.9)	30 (22.4)	
Displacement cu in (cc)	38 (624)		41 (674)	44 (725)			45 (747)		
Bore in (mm)	3 (77)		3.2 (80)	3.3 (83)					
Stroke: in (mm)	2.6 (67)							2.7 (69)	
Peak Torque CH @ Maximum lbs ft (Nm)	32.2 (43.6) @ 2200 rpm	32.7 (44.3) @ 2400 rpm	37.9 (51.4) @ 2400 rpm	40.9 (55.4) @ 2400 rpm	40 (54.2) @ 2800 rpm	42.3 (57.3) @ 2400 rpm	42.7 (57.9) @ 2600 rpm	45 (61) @ 2400 rpm	
Peak Torque CV @ Maximum lbs ft (Nm)	31.4 (42.6) @ 2200 rpm	33.3 (45.1) @ 2400 rpm	40.2 (54.5) @ 2400 rpm	41 (55.5) @ 2400 rpm	40 (54.2) @ 2800 rpm	42 (56.9) @ 2800 rpm	44.3 (60) @ 2400 rpm	47.1 (63.9) @ 2600 rpm	
Compression Ratio	8:5:1			9:1				9:4:1	
Dry Weight lb (kg)	90 (41)			94 (43)				105 (47)	
Oil Capacity w/filter U.S. qt (L)	2 (1.9)								
Lubrication	Full-pressure with full-flow filter								
Dimensions L x W x H in (mm)	a/b	a/b	a/b	a/b	a/b	a/b	a/b	a/b	a/b
**a = CH	flat air cleaner: 14 (355) x 17.7 (451) x 19 (483)		[CH750: 14 (355) X 17.7 (451) X 22.4 (568.2)			heavy-duty air cleaner: 14 (355) x 17.7 (451) x 26.5 (672) [CH750: 14 (355) X 17.7 (451) X 27.8 (708)			
***b = CV	flat air cleaner: 17.8 (452) x 17.7 (451) x 14.1 (358)		(not shown)						
	commercial mower air cleaner: 21.2 (538) x 17.7 (451) x 14.3 (363)								
	heavy-duty air cleaner: 20.5 (521) x 17.7 (451) x 22.5 (572)								

* Horsepower ratings exceed Society of Automotive Engineers Small Engine Test Code J1940. Actual engine horsepower is lower and affected by, but not limited to, accessories (air cleaner, exhaust, charging, cooling, fuel pump, etc.), application, engine speed and ambient operating conditions (temperature, humidity and altitude). For more information, contact Kohler Co. Engine Engineering. Kohler reserves the right to change product specifications, designs and equipment without notice and without incurring obligation.

** L = grass screen to PTO mounting face W = spark plug to spark plug H = top of air cleaner cover to mounting feet

*** L = blower housing to air cleaner cover W = spark plug to spark plug H = top of air cleaner cover to mounting surface

Standard Features

- Accelerator pump (CH730-740, CV18-740)
- Two-barrel carburetor (CH/CV750)
- Electronic fuel injection (CH/CV26, 745)
- 20-amp charging, regulated
- High-performance spark plugs*
- Top-mount controls (CV18-750)
- High-efficiency fan and screen*
- Yellow oil cap and dipstick*
- Commercial mower package (CV18-750)
- Large filters (air, oil, fuel)*
- Hardened crank journals
- PTO side-load sleeve bearing (CH/CV730-740)
- Hydraulic valve lifters
- Mechanical fuel pump (CH)
- Pulse fuel pump (CV)
- Smart-Choke™ carburetor
- 12-volt solenoid shift electric start
- Dual-element air cleaner
- Dual oil drains
- Electronic ignition
- Solenoid fuel shutdown
- Oil Sentry™ automatic warning/shutdown system (installed, not wired)
- Full-pressure lubrication/full-flow filter

* Required features for Command PRO engines

Popular Factory Options

- Remote oil filter
- Rotatable oil filter base
- Muffler guard
- Variety of mufflers
- Exhaust deflector/spark arrestor
- Engine-mounted controls (CH)
- 5 percent governor
- Electronic governor
- SAE A/B pump mounts
- Choice of air cleaners (flat, HD, WAWB)
- 15- and 25-amp charging systems
- Heavy-duty air cleaner (CH/CV740)
- Guard for rotating grass screen
- Chopper-type grass screen
- Additional crank sizes
- Pulse fuel pump (CH)
- Flywheel PTOs
- LP and dual-fuel carburetor (CH20/730)
- PTO thrust bearing (CH730-750)
- Oil cooler (CV18-750)

For more information, contact your KOHLER source of supply
Or call toll-free in the U.S. and Canada 1-800-544-2444.

KOHLER®

Relentless Power.
Legendary Performance.

Kohler Co., Kohler, Wisconsin 53044 Tel 920-457-4441 Fax 920-459-1570

KohlerEngines.com

© 2008 by Kohler Co. All rights reserved.

Printed in U.S.A. E-2062-G 2/08